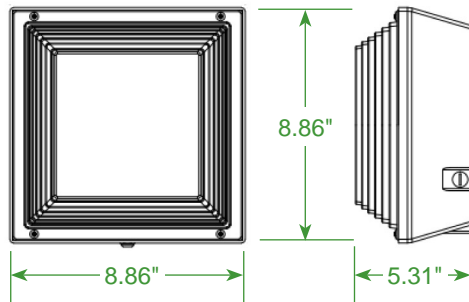


## DIMENSIONS

### LED40 / LED60 Models



Catalog Number	
Project Name & Location	Type

### Product Specifications

**DIMENSIONS:** 8.86" Square (LED40/LED60 Models) / 5.31" Depth  
**DRIVER:** Universal Voltage (120-277V), 50/60Hz electronic driver.  
**HOUSING:** Die cast aluminum alloy housing. Fully sealed to prevent dirt & insect contamination.  
**DIFFUSER:** Polycarbonate Shock-Proof Diffuser with refracted pattern and UV inhibitors.  
**FINISH:** Die Cast aluminum housing finished in Bronze.  
**EFFICACY:** 120 Lumens per Watt.  
**LIFE SPAN:** >50,000 Hrs Duty Cycle

**COLOR RENDERING INDEX:** >70 CRI.  
**POWER FACTOR:** 0.98 @ 120VAC / 0.90 @ 277VAC.  
**OPERATING/STORAGE TEMP:** -30°C~+50°C / -40°C~+60°C.  
**MOUNTING:** Three ¼ mounting hole and additional one on top for mounting to recessed outlet box or wall surface. Installation bracket with screws are included.  
**COMPLIANCE:** Built to comply with U.S. and Canadian Safety Standards. Suitable for Wet Locations. c/UL and DLC Listed. IP65 Tested and Approved.  
**WARRANTY:** 5 Year Limited Warranty.

### order example: GP12-LED40-CT5-UNV-BZ-0-10D

<b>SERIES</b>	
GP12	Garage Parking Canopy 12" Luminaire
<b>LED WATTAGE</b>	
*See Dimensions for LED Model Specific Size	
LED40	40 Watt LED (4800 Lumens)
LED60	60 Watt LED (7200 Lumens)
<b>LED COLOR TEMPERATURE</b>	
CT3	±3000K LED Color Temp
CT4	±4000K LED Color Temp
CT5	±5000K LED Color Temp
CT57	±5700K LED Color Temp
<b>VOLTAGE</b>	
347	347 Volt
480	480 Volt
UNV	120-277 Universal Volt Electronic Driver
<b>FINISH</b>	
BZ	Bronze
<b>MOUNTING OPTIONS</b>	
PM-ST	Pendant Mount with Stem - 12" Length Standard. - Specify Canopy: CS = Canopy Static / CSW = Canopy Swivel *CSW is 45° Hang Straight for Sloped Ceilings
TMB	Trunnion Mount Bracket - Extends to 24" (Customer Request)
<b>OPTIONS</b>	
0-10D	0-10V Low Voltage LED Dimming
CFC	Conformal Coating - For Natorium Applications
MD	Integral Motion Detector (Single Circuit) - Specify "A" for Light Levels: OFF / 100% - Specify "B" for Light Levels: 50% / 100%
MD3	Tri-Level Internal Motion Detector - Light Levels: OFF / DIM / 100% - Motion Sense specified Hold-Time - Dims to Low Light Level specified Stand-By period - Specified Ambient Foot-Candle Control
PHTD	Integral Photocell Dual Voltage 120/277V
REM16W	16 Watt Remote Emergency Battery - Self Contained in Conduit Adapter (CA) Back Box - Must Specify Voltage: 120V / 277V