



High Abuse Linear Collection HBL-G

High Bay Linear Luminaire — Selectable LED Wattage/CCT | Adjustable Beam Angle



Folding Light Panel Design
Adjustable Beam Angle



order example:

HBL-G-L-SLED-SCCT-UNV-WHT-PIR

SERIES

HBL-G HBL-G Series

SIZE (Nominal)

S Small: 14.96"L x 11.28"W x 2.36"D
L Large: 22.04"L x 11.28"W x 2.36"D

LED WATTAGE

SLED *Selectable LED Wattages
– Small: 135W | 110W | 85W
– Large: 225W | 185W | 150W

LED COLOR TEMPERATURE

SCCT *Selectable CCT: 3000K | 4000K | 5000K

VOLTAGE

UNV 120–277 Universal Volt Electronic Driver
– 0–10VDC Dimming is Standard

STANDARD FINISH

WHT White Finish

MOUNTING OPTIONS

CM Ceiling Mount Bracket
HG Pendant Mount

MISC OPTIONS

WG Wire Guard

SENSOR OPTIONS

Note: See Accessory Options for Remote Controller

MS Microwave Sensor (Plug-and-Play)
PIR PIR Sensor (Plug-and-Play)

EMERGENCY BATTERY OPTIONS

Note: See Accessory Options for Remote Controller

EM Emergency Battery

ACCESSORY OPTIONS (Order As A Separate Line)

REMTE Remote Controller for Emergency Options
REMTS Remote Controller for Sensor Options

***NOTE:** Fixtures will ship from factory at lowest wattage and warmest CCT. It is the installer's responsibility to set the fixture at the desired wattage and CCT for their project.

WATTAGE / LUMEN OUTPUT

Model Size	Wattage	Lumens / LPW (Based on 3000K CCT)	Lumens / LPW (Based on 4000K CCT)	Lumens / LPW (Based on 5000K CCT)
Small	135W	17,550 Lumens 130lm/w	19,575 Lumens 145lm/w	18,900 Lumens 140lm/w
	110W	14,850 Lumens 135lm/w	16,500 Lumens 150lm/w	15,950 Lumens 145lm/w
	85W	11,900 Lumens 140lm/w	12,750 Lumens 150lm/w	12,750 Lumens 150lm/w
Large	225W	30,375 Lumens 135lm/w	33,750 Lumens 150lm/w	31,500 Lumens 140lm/w
	185W	25,900 Lumens 140lm/w	28,675 Lumens 155lm/w	27,750 Lumens 150lm/w
	150W	21,750 Lumens 145lm/w	23,250 Lumens 155lm/w	22,500 Lumens 150lm/w

Catalog Number	
Project Name & Location	Type

Product Specifications

APPLICATIONS: Commercial, Retail, Gymnasiums, Factories, Supermarkets, Warehouses.

ADJUSTABLE BEAM ANGLE: -30°, 0°, 30°, 45°.

DRIVER: Universal Volt 120/277V electronic driver with 0–10V dimming.

HOUSING: Aluminum housing.

LENS: Polycarbonate.

LIGHT ENGINE: Energy efficient LED. Selectable Wattages / CCT via Built-In Dip Switches.

PROJECTED LIFESPAN: 100,000hrs

MOUNTING: Standard hanging bail for chain/cable mount.

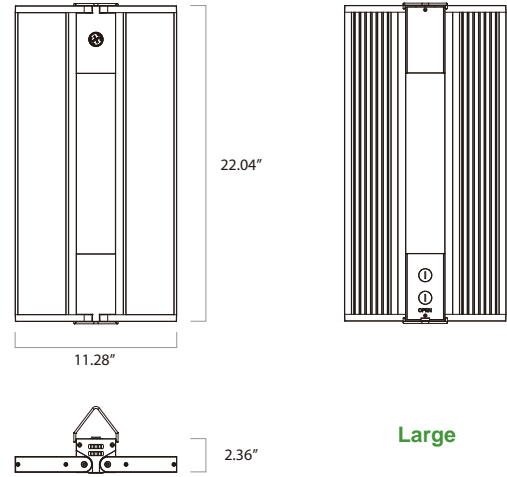
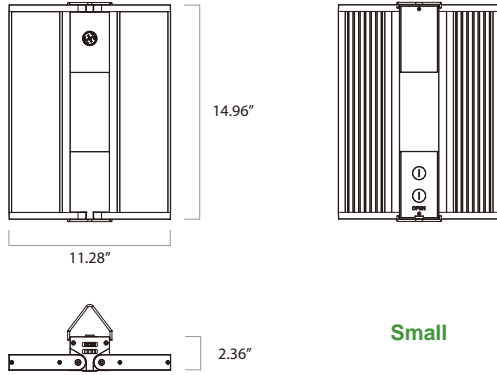
OPERATIONAL TEMPERATURE: -40°C (-40°F) to 50°C (122°F).

COMPLIANCE: Built to comply with U.S. and Canadian Safety Standards.

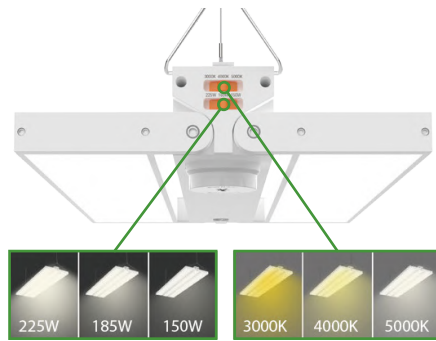
UL Certified, DLC Premium and RoHS Compliant. Suitable for damp locations. IP40 Rated.

WARRANTY: 5-year Limited Warranty.

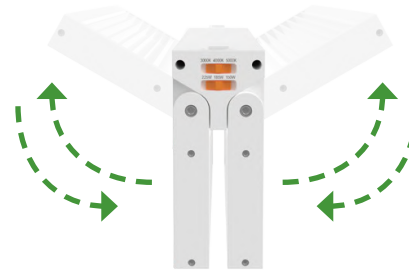
DIMENSIONS



FEATURES

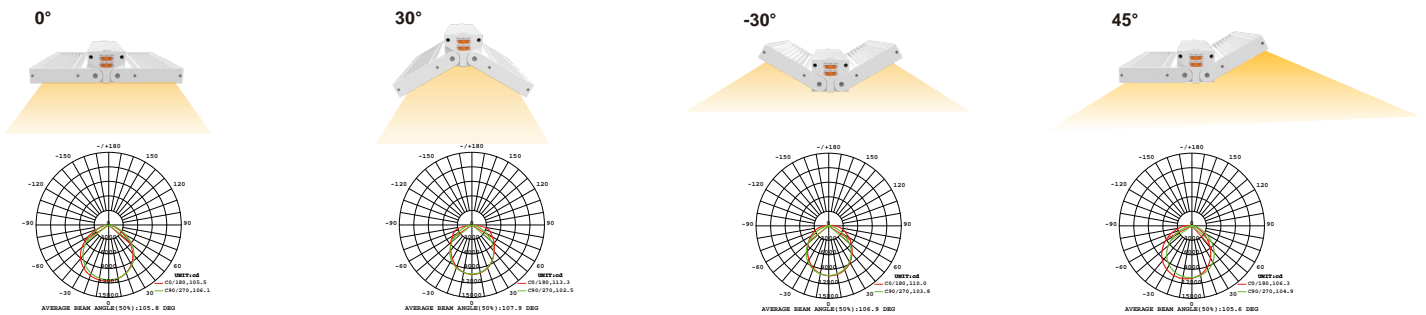


Selectable LED Wattage / CCT

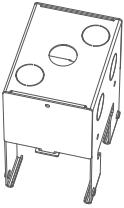


Folding Light Panel Design

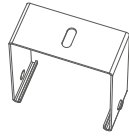
Adjustable Beam Angles



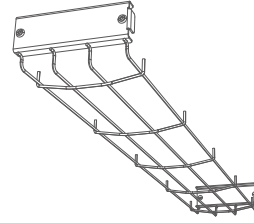
OPTIONS



**Ceiling Mount Bracket
(CM)**



**Hanging J-Box Bracket
(HG)**



**Wire Guard
(WG)**



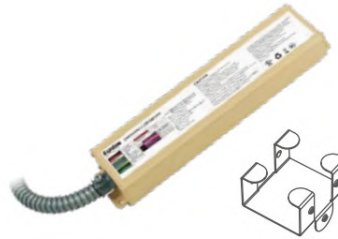
**Microwave Sensor
(MS)**



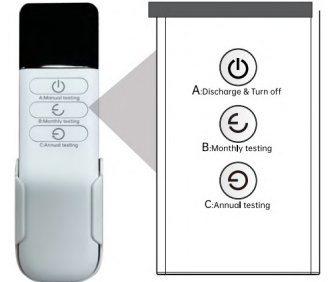
**PIR Sensor
(PIR)**



**Remote Controller
for Sensor
(REMTS)**

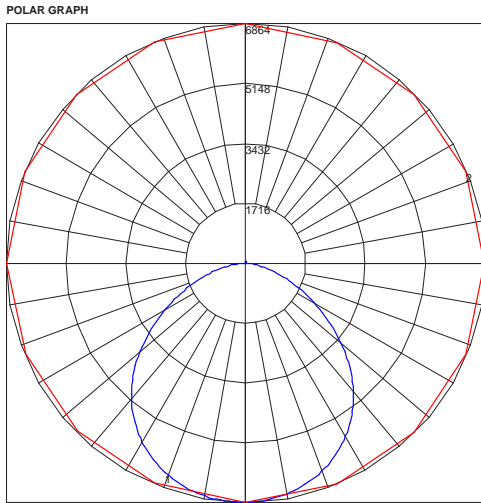


**Emergency Battery
(EL)**



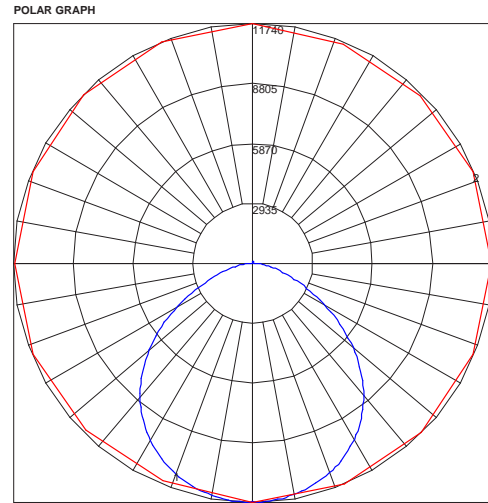
**Remote Controller for
Emergency Battery
(REMTE)**

PHOTOMETRIC DIAGRAMS



Maximum Candela = 6864.45 Located At Horizontal Angle = 270, Vertical Angle = 1
 # 1 - Vertical Plane Through Horizontal Angles (270 - 90) (Through Max. Cd.)
 # 2 - Horizontal Cone Through Vertical Angle (1) (Through Max. Cd.)

Model No. HBL-G-S-SLED-135W-SCCT-50K-UNV



Maximum Candela = 11740.05 Located At Horizontal Angle = 270, Vertical Angle = 1
 # 1 - Vertical Plane Through Horizontal Angles (270 - 90) (Through Max. Cd.)
 # 2 - Horizontal Cone Through Vertical Angle (1) (Through Max. Cd.)

Model No. HBL-G-L-SLED-225W-SCCT-50K-UNV

PHOTOMETRIC DATA

MODEL NUMBER	LUMENS	LPW	WATTAGE	BUG RATING
HBL-G-S-SLED-135W-SCCT-30K-UNV	17,445.76 Lumens	127.4 LPW	136.9W	B4-U3-G2
HBL-G-S-SLED-135W-SCCT-40K-UNV	18,382.25 Lumens	138.9 LPW	132.3W	B4-U3-G2
HBL-G-S-SLED-135W-SCCT-50K-UNV	18,011.43 Lumens	131.8 LPW	136.7W	B4-U3-G2
HBL-G-L-SLED-225W-SCCT-30K-UNV	30,029.51 Lumens	132.2 LPW	227.1W	B4-U3-G3
HBL-G-L-SLED-225W-SCCT-40K-UNV	31,857.83 Lumens	148.9 LPW	213.9W	B4-U3-G2
HBL-G-L-SLED-225W-SCCT-50K-UNV	30,703.3 Lumens	139.2 LPW	220.5W	B4-U3-G2