



High Abuse Wall and Ceiling Collection B20

High Abuse/Wall or Ceiling Luminaire — Selectable LED Wattage / CCT



order example:

B20-SLED-SCCT-UNV-PHTD-CA

SERIES

B20 B20 Clear Prismatic Lens Series

LED WATTAGES

SLED *Selectable LED Wattages: 8W | 12W

LED COLOR TEMPERATURE (CCT)

SCCT *Selectable CCT: 3000K | 3500K | 4000K | 5000K

VOLTAGE

UNV 120-277 Universal Volt Electronic Driver

PHOTOCELL OPTIONS

PHTD Photocell Button (120/277V)
— Requires Conduit Adapter Back Box (CA)

CONTROL OPTIONS (Choose from Manual or Sensor)

MANUAL CONTROL (Wall Switch or Control System)

Note: Cannot be used with Sensor Controls Below
0-10D1 0-10VDC LED Dimming Driver (100-10%)

OR

SENSOR CONTROL (Sensor Integral to Fixture)

Note: Cannot be used with Manual Controls Above
Note: Motion Sensor Max Mounting Height 18-Feet

OCC Occupancy Sensing | Motion Sensor Integral
— Microwave / Single Feed / 120/277 Only
— Stand-by Dim Level Presets: On/Off (0%/100%)

CONDUIT ADAPTER BACK BOX OPTIONS

CA Aluminum Back Box 1" Deep

MISC OPTIONS

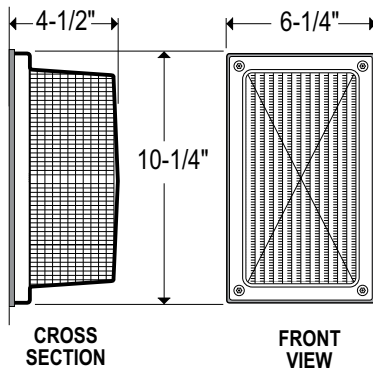
FUS Single Fusing
— Requires Conduit Adapter Back Box
TP Tamperproof Screws

***NOTE:** Fixtures will ship from factory at lowest wattage and warmest CCT. It is the installer's responsibility to set the fixture at the desired wattage and CCT for their project.

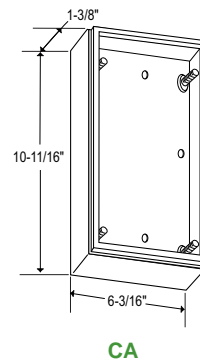
SELECTABLE WATTAGE / LUMEN OUTPUT

Wattage	3000K (3K)	3500K (35K)	4000K (4K)	5000K (5K)
8 Watt	1,050 Lumens	1,075 Lumens	1,110 Lumens	1,150 Lumens
12 Watt	1,550 Lumens	1,575 Lumens	1,600 Lumens	1,650 Lumens

DIMENSIONS



Back Box Options



Catalog Number

Project Name & Location

Type

Product Specifications

BACKPLATE: 16G (.060) Aluminum Formed For Rigidity.

BACKPLATE: 16G (.060) Aluminum Formed For Rigidity.

DRIVER: Universal Voltage 120/277 Electronic Driver.

FASTENERS: (4) Stainless Steel Tamperproof Screws Secure Lens to Backplate.

GASKETING: Standard One Piece Die Cut 3/16" Thick Black EPDM and/or Neoprene Rubber.

LIGHT ENGINE: Energy Efficient LED - Selectable Wattage and CCT.

LENS: Injection Molded 1/8" Thick (Nom.) Clear Prismatic Polycarbonate Completely encloses Fixture — Inside and Outside Collector and Refraction Prisms.

MOUNTING HOLES: 4-Point Mount: (4) 5/16" Dia. Holes For 1/4" Dia. Bolts. For Backbox (CA) option, Carriage Bolts must be used..

COMPLIANCE: Built to comply with U.S. and Canadian safety standards. Complies with Buy American Act. Suitable for wet locations (requires four point mounting).

WARRANTY: 5-Year Limited Warranty.