



The Parking Garage Collection LBG-SE

Low Bay Luminaire - Selectable Wattage / CCT



Selectable Wattage / CCT



SELECTABLE LED WATTAGE / LUMENS

Selectable LED Wattage / Lumen Output			
Wattage	A	B	C
SLED-L	150 Watt (19,500LM 3000K)	100 Watt (13,000LM 3000K)	80 Watt (10,400LM 3000K)
	150 Watt (22,500LM 4000K)	100 Watt (15,000LM 4000K)	80 Watt (12,000LM 4000K)
	150 Watt (23,000LM 5000K)	100 Watt (15,500LM 5000K)	80 Watt (12,500LM 5000K)
SLED-M	200 Watt (29,944LM 3000K)	150 Watt (19,500LM 3000K)	100 Watt (13,000LM 3000K)
	200 Watt (30,000LM 4000K)	150 Watt (22,500LM 4000K)	100 Watt (15,000LM 4000K)
	200 Watt (30,500LM 5000K)	150 Watt (23,000LM 5000K)	100 Watt (15,500LM 5000K)
SLED-H	240 Watt (33,073LM 3000K)	200 Watt (29,944LM 3000K)	150 Watt (19,500LM 3000K)
	240 Watt (36,000LM 4000K)	200 Watt (30,000LM 4000K)	150 Watt (22,500LM 4000K)
	240 Watt (36,800LM 5000K)	200 Watt (30,500LM 5000K)	150 Watt (23,000LM 5000K)

Catalog Number

Project Name & Location

Type

Product Specifications

DRIVER: Universal Voltage (120-277V) Electronic Driver with 0-10V dimming.

HOUSING: Die cast aluminum housing with built-in heat sink.

LENS: Clear Polycarbonate Lens. Optional Frosted Lens

FINISH: Cast aluminum housing finished in black.

LIGHT ENGINE: Energy Efficient LED - Selectable Wattage / CCT.

LIFE SPAN: 50,000 Hrs Duty Cycle

BEAM ANGLE: 120°(Standard) or 60°, 90°.

COLOR RENDERING INDEX: >80± CRI.

POWER FACTOR: ≥ 0.95.

MOUNTING: Hook (HOOK), Surface (SM), or Pendant Mount (PEND).

OPERATING TEMP: -30°C to 50°C.

COMPLIANCE: Built to comply with U.S. and Canadian Safety Standards. ETL, DLC, SAA, CE, and RoHS Compliant. IP65 Waterproof, Suitable for Wet Locations.

WARRANTY: 5 Year Limited Warranty.

ORDER EXAMPLE:

LBG-SE-HOOK-SLED-M-UNV-SCCT-120D-BK

LBG-SE-PEND3-CSW-SR-SLED-H-UNV-SCCT-120D-BK

SERIES

LBG-SE Low Bay Luminaire - Selectable Watt/CCT

MOUNTING

HOOK Hook Mount
– Includes Eyelid Ring for Chain Suspension

SM Surface Mount
– Includes Quick Mount Box (QMB)
– Includes 6" Stem and 4" Conduit Box

PEND-CSW-RR Pendant Mount with Swivel Canopy for 4" Round J-Box
– Stem Connects to 4" Conduit Box
– Choose Stem Length: 3" Stem or 6" Stem
– Total Pendant Length:
3" Stem = 7" | 6" Stem = 10"
– Order Example (6" Stem): PENDING-CSW-RR

PEND-CSW-SR Pendant Mount with Swivel Canopy for 4" Square J-Box
– Stem Connects to 4" Conduit Box
– Choose Stem Length: 3" Stem or 6" Stem
– Total Pendant Length:
3" Stem = 7" | 6" Stem = 10"
– Order Example (6" Stem): PENDING-CSW-SR

LED WATTAGE

Note: Refer to Chart for Wattage / Lumen Output

SLED-L *Selectable LED Wattages - Low:
150W | 100W | 80W

SLED-M *Selectable LED Wattages - Medium:
200W | 150W | 100W

SLED-H *Selectable LED Wattages - High:
240W | 200W | 150W

VOLTAGE

347 347 Volt

480 480 Volt

UNV 120-277 Universal Volt Electronic Driver

LED COLOR TEMPERATURE (CCT)

SCCT *Selectable CCT:
3000K (WW) | 4000K (NW) | 5000K (CW)

BEAM ANGLE

60D 60° Beam Angle

90D 90° Beam Angle

120D 120° Beam Angle - STANDARD

STANDARD FINISH

BK Black - STANDARD

PREMIUM UPCHARGE FINISH

Note: Require 40pcs MoQ + \$ Adder

BZ Bronze

WHT White

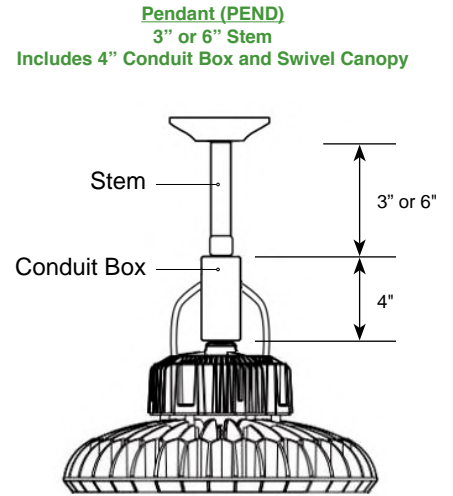
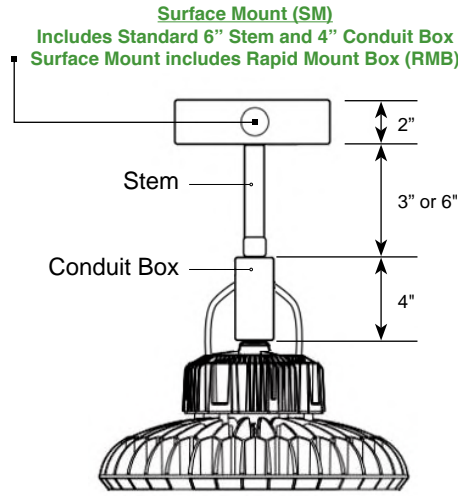
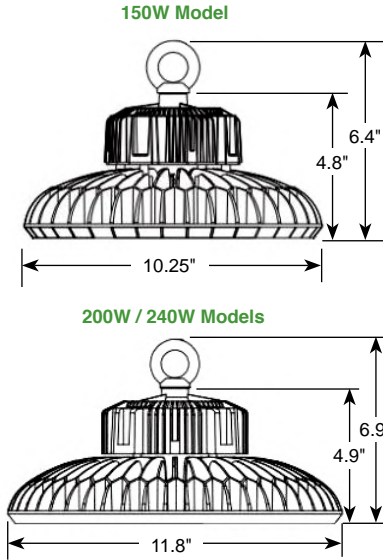
CC Custom Color

LENS OPTION

FR Frosted Lens

***NOTE:** Fixtures will ship from factory at lowest wattage and warmest CCT. It is the installer's responsibility to set the fixture at the desired wattage and CCT for their project.

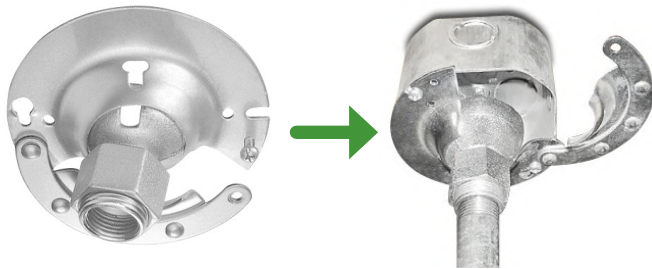
DIMENSIONS



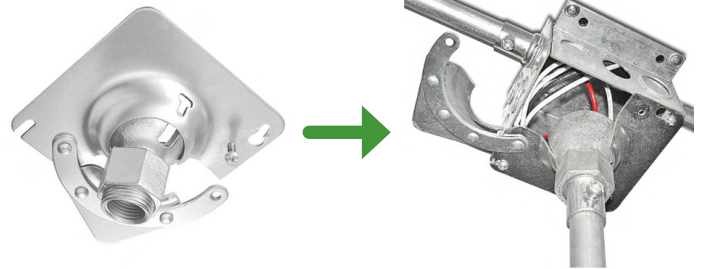
MOUNTING



PENDANT SWIVEL CANOPY TYPES



Canopy Swivel 4" for Round/Octagonal J-BOX
 Rapid Mount with Hinged Door
 (PEND-CSW-RR)

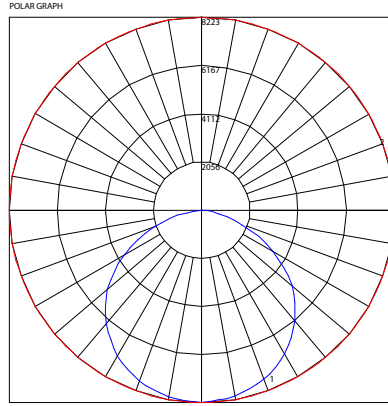


Canopy Swivel 4" for Square J-BOX
 Rapid Mount with Hinged Door
 (PEND-CSW-SR)

PHOTOMETRIC DATA

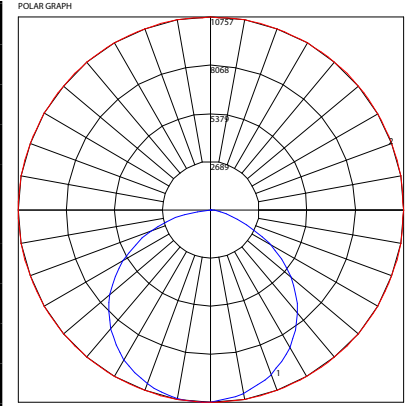
Summary LBG-SE-SLED-L-3K-120D-UNV_(CLEAR_LENS)					
Lumen Output	Efficacy	Input Power	CCT	Distribution	BUG Rating
23,062.35 Lms	159.1 Lm/W	144.963W	3000K	Type VS	N/A

Zonal Lumen Summary	
Zone	Lumens
0-30	6452.49
0-40	10,653.86
0-60	18,972.49
60-90	5,299.93
70-100	1365.0
90-120	0.0
0-90	23,062.35
90-180	0.0
0-180	23,062.35



Summary LBG-SE-SLED-M-3K-120D-UNV_(CLEAR_LENS)					
Lumen Output	Efficacy	Input Power	CCT	Distribution	BUG Rating
29,944.46 Lumens	154.25 Lm/W	194.124W	3000K	Type II	N/A

Zonal Lumen Summary	
Zone	Lumens
0-30	8,414.28
0-40	13,866.47
0-60	24,542.58
60-90	7045.45
70-100	1885.98
90-120	0.0
0-90	29,944.46
90-180	0.0
0-180	29,944.46



Summary LBG-SE-SLED-H-3K-120D-UNV_(CLEAR_LENS)					
Lumen Output	Efficacy	Input Power	CCT	Distribution	BUG Rating
33,073.74 Lms	136.53 Lm/W	242.25W	3000K	Type II	N/A

Zonal Lumen Summary	
Zone	Lumens
0-30	9,239.73
0-40	15,252.46
0-60	27,063.88
60-90	7,844.94
70-100	21,15.76
90-120	0.0
0-90	33,073.74
90-180	0.0
0-180	33,073.74

