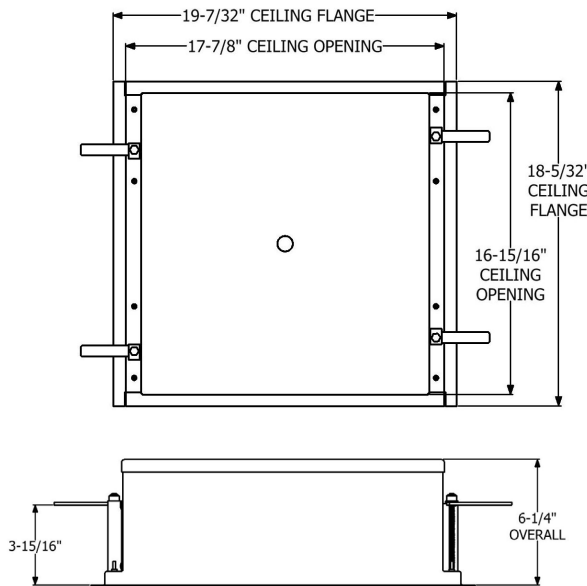




DIMENSIONS



Catalog Number	
Project Name & Location	Type

Product Specifications

MINIMUM ORDER QUANTITY: 25pcs MOQ
DRIVER: Universal Volt 120/277V with 0-10V dimming standard. Optional dimming ranges, 10% or 1%, under Dimming Options.
GASKETING: High temperature, non-aging black EPDM and/or neoprene rubber concealed in housing pocket.
HOUSING: 14-gauge aluminum, die formed and riveted construction. One 7/8" trade size knockout provided on top for line side entry. Four winged leveler mounts mechanically attached to housing.
FINISH: Oven baked Polyester Powder Coat White Finish is Standard. Optional Natatorium Finish is available for harsh conditions including: chlorine, salt, exhaust fumes.
LENS: 5/32" (0.156") thick prismatic polycarbonate lensing standard.

LENS FASTENERS: Stainless steel tamperproof screws secure doorframe to housing.
LIGHT ENGINE: Energy Efficient Super Bright Light Emitting Diode. Conformal coating for light engines prevents corrosion.
MOUNTING: Mounts into a 17" x 17-15/16" ceiling cutout. Torquing leveler design pulls luminaire flush to level ceiling surface.
COMPLIANCE: Built to comply with U.S. and Canadian Safety Standards. Damp location rated, wet location optional, covered ceilings only. For use in NON-insulated ceilings only. **Made in USA / Buy America Compliant / Buy American Act.**

order example:

RS16S-P-LED75-CT4-UNV-WHT-NAT-BLD

SERIES	RS16S Recessed Plaster Ceiling Mount 16x16in. <i>Note: Minimum Order Quantity of 25pcs</i>
MOUNTING	P Plaster Ceiling
LED WATTAGE	LED40 40 Watt LED LED60 60 Watt LED LED75 75 Watt LED LED90 90 Watt LED
LED COLOR TEMPERATURE (CCT)	CT3 ±3000K LED Color Temp CT35 ±3500K LED Color Temp CT4 ±4000K LED Color Temp CT5 ±5000K LED Color Temp
VOLTAGE	347 347 Volts UNV 120~277 Universal Volt Driver
STANDARD FINISH	BK Black Finish BZ Bronze Finish PA Painted Aluminum Finish WHT White Finish
PREMIUM UPCHARGE FINISH	CC Custom Color (Visit www.ralcolor.com) - Provide RAL# or Make-to-Match Color Chip +NAT Epoxy Coating for Natatorium - Includes Conformal Coating for LEDs
LENS OPTIONS	Note: Up to (2) lens choices may be made with a maximum thickness requirement of 0.438" (7/16") thick. Example: Lens option 81 with 86 equals maximum total thickness allowed. D K12 Prismatic Polycarbonate Lens .156" thick - Included as Standard Lens G Clear Tempered Glass Lens .156" thick H Clear Polycarbonate Lens .250" thick J Clear Polycarbonate Lens .187" thick R .118" Frosted Polycarb. / Glare Control
CONTROL OPTIONS (Choose from Manual or Sensor)	MANUAL CONTROL (Wall Switch or Control System) Note: Cannot be used with Sensor Controls Below Note: 0-10V (100-30%) Dimming is Standard 0-10D1 0-10VDC LED Dimming Driver (100-10%) 0-10D2 0-10VDC LED Dimming Driver (100-1%) BLS Bi-Level Switching (Includes Two Drivers) OR SENSOR CONTROL (Sensor Integral to Fixture) Note: Cannot be used with Manual Controls Above Note: Motion Sensor Max Mounting Height 18-Feet OCC Occupancy Sensing / Motion Sensor Integral - Microwave / Single Feed / 120/277 Only - Stand-by Dimming Level Presets: On/Off BLD Bi-Level Dimming - Motion Sensor Integral - Microwave / Single Feed / 120/277 Only - Stand-by Dimming Level Presets: 10% / 20% / 30% / 50%
MISC	WET Wet Location Rated

Additional Options on PAGE 2



EMERGENCY / BATTERY OPTIONS

- Meets California Energy Commission Title 20 [CEC-400-2014-009-CMF] Efficiency Standards
—Cold Weather Batteries DO NOT meet CEC Standards
- Cold Weather Emergency Batteries Temp Range: -20°C thru 50°C
- Max Whip Length for REM is 8ft

REM8W Remote 8 Watt LED

REM16W Remote 16 Watt LED

REM10W- Remote 10 Watt LED - Cold Weather CW
