



# The Parking Garage Collection SG10S

LED Shallow Square Garage or Canopy Luminaire — Selectable LED Wattage / CCT



The **Bluetooth**® word mark and logos are registered trademarks owned by **Bluetooth**® SIG, Inc.

### ORDER EXAMPLE:

SG10S-PM12-SWC-SR-SLED-H-SCCT-UNV-BZ-PIR

### SERIES

SG10S Square 10" Garage or Canopy Luminaire

### MOUNTING

- SM Surface Mount (w/ Mounting Plate)
- PM12-SWC-RR Pendant 12" Length Conduit Stem (½" IPS)  
– Includes Swivel Canopy for 4" Round Box
- PM12-SWC-SR Pendant 12" Length Conduit Stem (½" IPS)  
– Includes Swivel Canopy for 4" Square Box

### LED WATTAGE

- SLED-L \*Selectable LED - Low: 20W | 30W | 40W
- SLED-M \*Selectable LED - Mid: 40W | 60W | 80W
- SLED-H \*Selectable LED - High: 60W | 80W | 100W

### LED COLOR TEMPERATURE (CCT)

SCCT \*Selectable CCT: 3500K | 4000K | 5000K

### VOLTAGE

UNV 120–277 Universal Volt Electronic Driver  
– 0-10V Dimmable

### STANDARD FINISH

BZ Bronze Finish

### PREMIUM UPCHARGE FINISH

- BK Black Finish
- PA Painted Aluminum Finish
- WHT White Finish

### SENSOR OPTIONS

- OCC Occupancy | Microwave Motion Sensor  
– Plug-and-Play Installation
- OCC-B Occupancy | **Bluetooth**® Enabled Sensor  
– Plug-and-Play Installation
- PIR Occupancy | PIR Motion Sensor  
– Plug-and-Play Installation

### EMERGENCY BATTERY OPTIONS

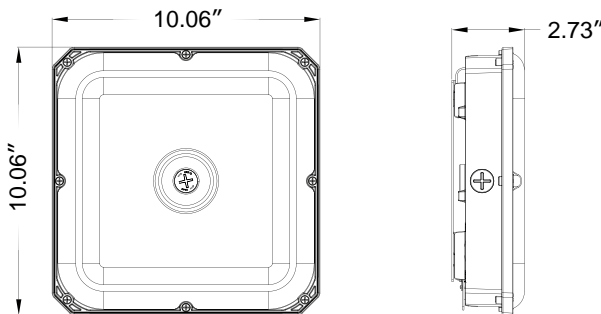
- EM8W Integral 8 Watt LED Emergency Battery  
– 90min Battery Time / 24hr Charge Time  
– EM8W Not Compatible with SLED-H
- REM8W Remote 8 Watt LED Emergency Battery  
– 90min Battery Time / 24hr Charge Time  
– SLED-H Compatible with REM8W Only

**\*NOTE:** Fixtures will ship from factory at lowest wattage and warmest CCT. It is the installer's responsibility to set the fixture at the desired wattage and CCT for their project.

## SELECTABLE WATTAGE / LUMENS

Power Setting	Low	Medium	High
<b>SLED-L</b>	20W (2,600 Lumens)	30W (3,900 Lumens)	40W (5,200 Lumens)
<b>SLED-M</b>	40W (5,200 Lumens)	60W (7,800 Lumens)	80W (10,400 Lumens)
<b>SLED-H</b>	60W (7,800 Lumens)	80W (10,400 Lumens)	100W (13,000 Lumens)

## DIMENSIONS



Catalog Number	
Project Name & Location	Type

### Product Specifications

**DRIVER:** Universal Voltage (120–277V) electronic driver with 0-10V Dimming.

**HOUSING:** Die cast aluminum housing with built-in heatsink fins for optimal thermal management.

**LENS:** Clear ribbed optical lens with 150° beam angle.

**LIGHT ENGINE:** Energy Efficient LED - Selectable Wattage / CCT. >50,000 Hours Lifespan.

**MOUNTING:** Mounting plate directly mounts to ceiling or J-BOX is standard. Optional Pendant Mount.

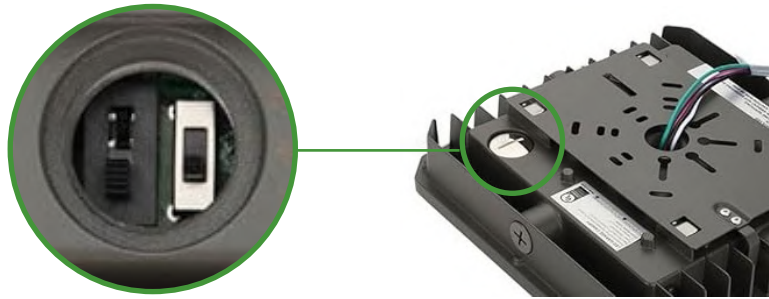
**OPERATING TEMPERATURE:** -40°C–45°C (-40°F TO +113°F)

**COMPLIANCE:** Built to comply with U.S. and Canadian Safety Standards.

UL, FCC Certified. IP65 Rated, Suitable for Wet Locations.

**WARRANTY:** 5 Year Limited Warranty.

## SELECTABLE WATTAGE/CCT CONTROLLER



## MOUNTING

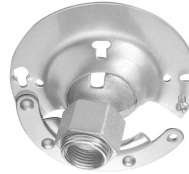


Surface Mount (SM)



Pendant Mount (PEND)

### Swivel Canopy Types for Pendant Mount



Swivel Canopy 4" for  
Round/Octagonal J-BOX  
(SWC-RR)



Swivel Canopy 4" for  
Square J-BOX  
(SWC-SR)

## OPTIONS



**Microwave Motion Sensor (OCC)**  
*Plug-and-Play Installation*



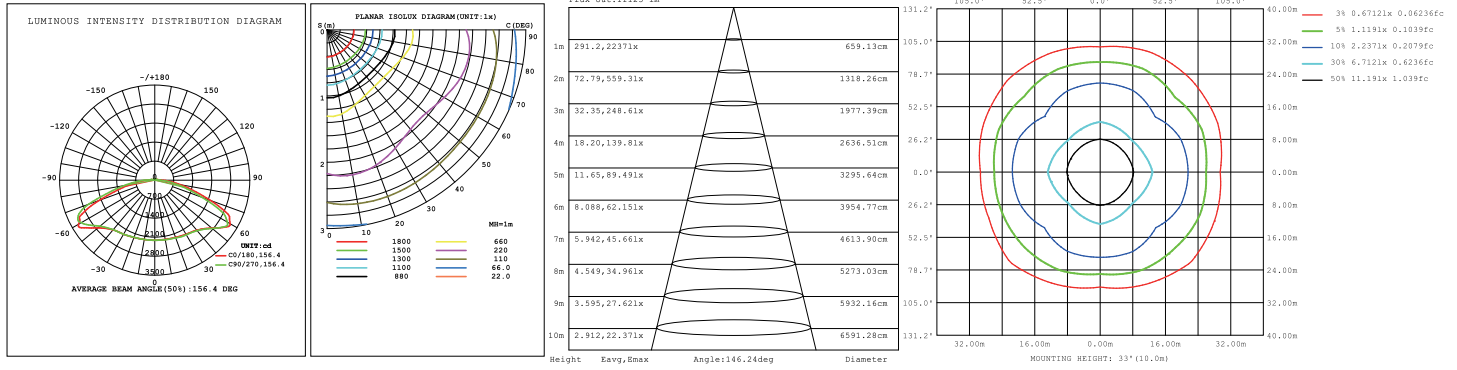
**PIR Motion Sensor (PIR)**  
*Plug-and-Play Installation*



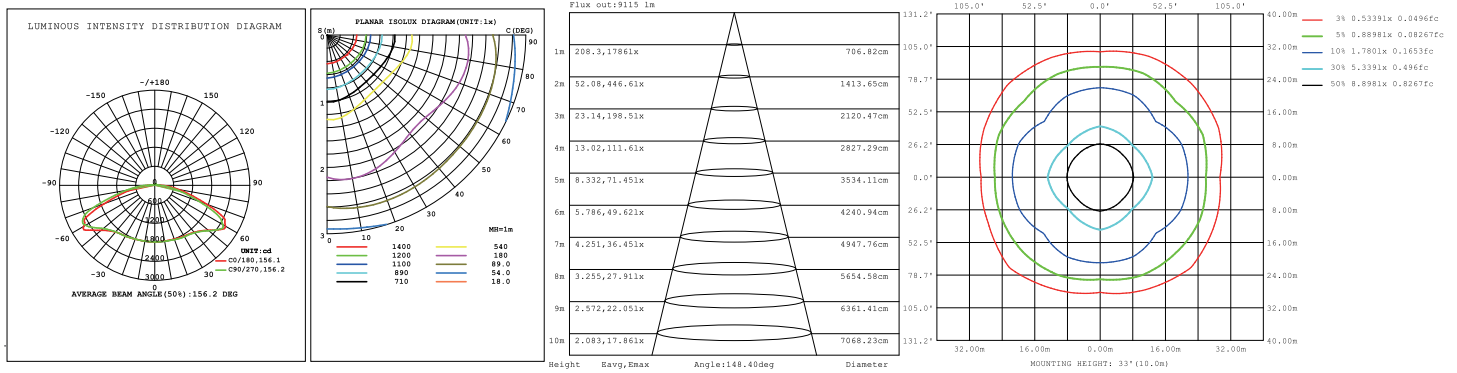
**8 Watt Emergency Battery (EL8W)**  
*90min Battery Time / 24hr Charge Time*

### PHOTOMETRY

#### Photometric Tested Model Wattage/CCT: 100W / 5000K



#### Photometric Tested Model Wattage/CCT: 80W / 5000K



#### Photometric Tested Model Wattage/CCT: 40W / 5000K

