



# The North American Collection

## “WISCONSIN” ROUND MEDIUM (Selectable Wattage/CCT Series)

Indoor/Outdoor — Vandal Wall Pack Family | Selectable Wattage / CCT



Greenbay (GB)



Kenosha (KN)



Milwaukee (ML)



Hudson (HU)



Kenosha Flat Lens (KN-F)



### order example:

**KN-6-SLED-SCCT-UNV-BK-OCC**

#### SERIES

GB Greenbay Series

HU Hudson Series

KN Kenosha Series

KN-F Kenosha Flat Lens Series

ML Milwaukee Series

#### SIZES

6 13.75" Diameter Height x 6.5" Depth

#### LED WATTAGES

**Note: Refer to Chart for Lumen Output**

SLED \*Selectable LED Wattage: 13.5W | 17W | 20.5W

#### LED COLOR TEMPERATURE (CCT)

SCCT \*Selectable CCT: 3000K | 3500K | 4000K | 5000K

#### VOLTAGES

UNV 120-277 Universal Volt Driver

#### STANDARD FINISH

BK Black

WHT Textured White

#### PREMIUM UPCHARGE FINISH

**Note: Premium Finishes Require MOQ = 5pcs**

BZ Bronze

PA Painted Aluminum

CC Custom Color (Visit [www.ralcolor.com](http://www.ralcolor.com))  
– Provide RAL# or Make-to-Match Color Chip

#### INHIBITOR FINISH

**Note: Inhibitor Finishes Require MOQ = 5pcs**

+NAT Epoxy Coating for Natatorium

+OFC Epoxy Coating for Ocean Front Environments

#### MOUNTING OPTIONS

PEND12 Pendant Mount (12" Stem)  
– Includes Canopy Swivel Kit (45°)

PEND(XX) Pendant Mount with Custom Stem Length  
– XX = Stem Length (inches)  
– Includes Canopy Swivel Kit (45°)

SR Semi-Recessed

#### LENS OPTIONS

FRO Frosted Opal

FLO Flat Opal White Flat Lens for KN-F Series

FLP Flat Prismatic Clear Lens for KN-F Series

RC Ribbed Clear

RF Ribbed Frosted

RW Ribbed White

#### PHOTOCELL OPTIONS

PHTD Photocell Button (120/277V)

#### SENSOR CONTROL

**Note: Motion Sensor Max Mounting Height 18-Feet**

OCC Occupancy Sensing / Motion Sensor Integral  
– Microwave / Single Feed / 120/277 Only  
– Stand-by Dimming Level Presets: ON/OFF

#### MISC OPTIONS

FUS Fuse and Fuseholder

**Additional Options on PAGE 3**

**\*NOTE:** Fixtures will ship from factory at lowest wattage and warmest CCT. It is the installer's responsibility to set the fixture at the desired wattage and CCT for their project.

### SELECTABLE LED WATTAGE / LUMENS

Selectable LED Wattage / Lumen Output		
Low Power	Medium Power	High Power
13.5 Watt (2150 Lumens)	17 Watt (2400 Lumens)	20.5 Watt (3150 Lumens)

**Note: Lumen output based on 4000K CCT.**

Catalog Number	
Project Name & Location	Type

### Product Specifications

**DIFFUSER:** Smooth Opal White Injection Molded Polycarbonate standard. Optional Frosted Opal Lens (FRO).

**DRIVER:** Universal Voltage 120/277v Electronic Driver with 0-10V dimming.

**EMERGENCY:** Optional Integral or Remote LED Emergency Battery

**FASTENERS:** (4) Stainless steel tamperproof Torx screws to secure lens to backplate.

**FINISH:** Extremely durable oven baked Polyester Powder Coat is Standard.

**GASKETING:** One Piece Die Cut 3/16" Thick Black EPDM.

**HOUSING:** Marine Grade cast aluminum.

**LIGHT ENGINE:** Energy Efficient Light Emitting Diode - Selectable Wattage/CCT.

**MOUNTING HOLES:** (4) 5/16" Diameter Holes for 1/4" Diameter Bolts.

**COMPLIANCE:** Built to comply with U.S. and Canadian Safety Standards. Suitable for Wet Locations.

**WARRANTY:** 5-Year Limited Warranty.



Greenbay (GB)



Kenosha (KN)



Milwaukee (ML)



Hudson (HU)



Kenosha Flat Lens (KN-F)



Catalog Number	
Project Name & Location	Type

**Product Specifications**

**DIFFUSER:** Smooth Opal White Injection Molded Polycarbonate standard. Optional Frosted Opal Lens (FRO).

**DRIVER:** Universal Voltage 120/277v Electronic Driver with 0-10V dimming.

**EMERGENCY:** Optional Integral or Remote LED Emergency Battery

**FASTENERS:** (4) Stainless steel tamperproof Torx screws to secure lens to backplate.

**FINISH:** Extremely durable oven baked Polyester Powder Coat is Standard.

**GASKETING:** One Piece Die Cut 3/16" Thick Black EPDM.

**HOUSING:** Marine Grade cast aluminum.

**LIGHT ENGINE:** Energy Efficient Light Emitting Diode - Static Wattage/CCT (Non-Selectable).

**MOUNTING HOLES:** (4) 5/16" Diameter Holes for 1/4" Diameter Bolts.

**COMPLIANCE:** Built to comply with U.S. and Canadian Safety Standards. Suitable for Wet Locations.

**WARRANTY:** 5-Year Limited Warranty.

**order example:**

**KN-6-SLED-SCCT-UNV-BK-OCC**

**SERIES**

GB Greenbay Series

HU Hudson Series

KN Kenosha Series

KN-F Kenosha Flat Lens Series

ML Milwaukee Series

**SIZES**

6 13.75" Diameter Height x 6.5" Depth

**LED WATTAGES**

LED40 LED 40 Watt (Static Wattage - Non-Selectable)

**LED COLOR TEMPERATURE (CCT)**

CT3 ±3000K LED Color Temp

CT35 ±3500K LED Color Temp

CT4 ±4000K LED Color Temp

CT5 ±5000K LED Color Temp

**VOLTAGES**

UNV 120-277 Universal Volt Driver

**STANDARD FINISH**

BK Black

WHT Textured White

**PREMIUM UPCHARGE FINISH**

**Note: Premium Finishes Require MOQ = 5pcs**

BZ Bronze

PA Painted Aluminum

CC Custom Color (Visit [www.ralcolor.com](http://www.ralcolor.com))

– Provide RAL# or Make-to-Match Color Chip

**INHIBITOR FINISH**

**Note: Inhibitor Finishes Require MOQ = 5pcs**

+NAT Epoxy Coating for Natatorium

+OFC Epoxy Coating for Ocean Front Environments

**MOUNTING OPTIONS**

PEND12 Pendant Mount (12" Stem)

– Includes Canopy Swivel Kit (45°)

PEND(XX) Pendant Mount with Custom Stem Length

– XX = Stem Length (inches)

– Includes Canopy Swivel Kit (45°)

SR Semi-Recessed

**LENS OPTIONS**

FRO Frosted Opal

FLO Flat Opal White Flat Lens for KN-F Series

FLP Flat Prismatic Clear Lens for KN-F Series

RC Ribbed Clear

RF Ribbed Frosted

RW Ribbed White

**PHOTOCELL OPTIONS**

PHTD Photocell Button (120/277V)

**SENSOR CONTROL**

**Note: Motion Sensor Max Mounting Height 18-Feet**

OCC Occupancy Sensing / Motion Sensor Integral

– Microwave / Single Feed / 120/277 Only

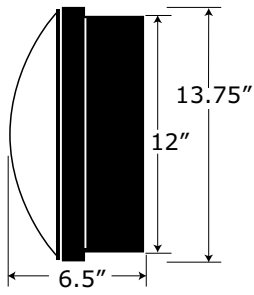
– Stand-by Dimming Level Presets: ON/OFF

**MISC OPTIONS**

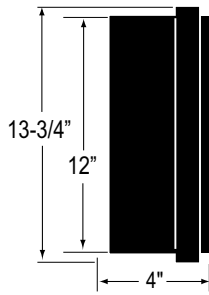
FUS Fuse and Fuseholder

**Additional Options on PAGE 3**

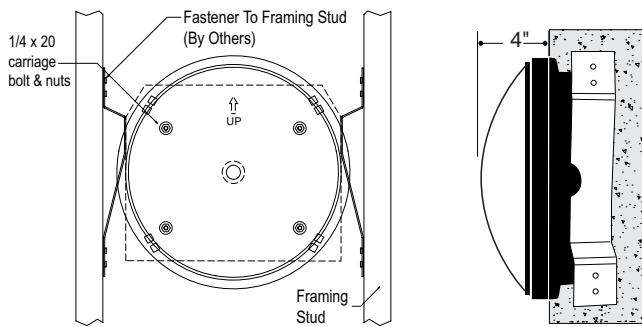
**DIMENSIONS**



**6" Size**



**6" Size Flat Lens Option**



**Shown with Semi-Recessed Option (SR)**

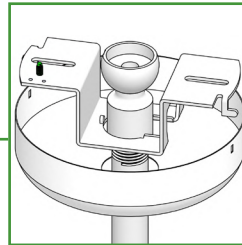
**PENDANT MOUNT OPTION**



**Kenosha Flat Lens Pendant Mount**



**Kenosha Pendant Mount**



**Pendant Mount Includes Canopy Swivel Kit**

**EMERGENCY BATTERY OPTIONS**

- Meets California Energy Commission Title 20 [CEC-400-2014-009-CMF] Efficiency Standards
- Cold Weather Batteries DO NOT meet CEC Standards
- Cold Weather Emergency Batteries Temp Range: -20°C thru 50°C
- Max Whip Length for REM Option is 8 Feet

EM8W	Integral 8 Watt LED (Not Compatible with KN-F)
EM10W	Integral 10 Watt LED (Not Compatible with KN-F)
EM16W	Integral 16 Watt LED (Not Compatible with KN-F)
REM8W	Remote 8 Watt LED
REM10W	Remote 10 Watt LED
REM16W	Remote 16 Watt LED
EM10W- CW	INTEGRAL 10 Watt LED - Cold Weather (Not Compatible with KN-F)
REM10W- CW	Remote 10 Watt LED - Cold Weather

**ACCESSORY OPTIONS**

**Order As A Separate Line**

REMT0009 Remote Controller for Sensor Options

TPD Tamperproof Screwdriver