



Drop Square Diffuser
(Standard)



STYLE

Note: Diagrams depicted feature Optional Drop Tapered Lens (DT)



Style A - No Back Box



Style B - Deep Back Box



Style C - Shallow Back Box

Catalog Number	
Project Name & Location	Type

Product Specifications

APPLICATIONS: Eaves, Breezeways, Canopy, Soffit, Stairwell.

BACKPLATE: 14-gauge (0.064") die formed aluminum, used for surface mounting.

LENS: 1/8" thick UV resistant, Injection molded Clear Polycarbonate. Drop square is standard, Pyramidal drop lens (DP) optional.

LENS FRAME: 14-gauge (0.064") die formed aluminum. Securely mounts and seals the lens to backplate. Powder coat Textured White finish, standard. Optional colors available.

GASKETING: EPDM and/or Neoprene, seals diffuser to backplate and backplate to recessed junction box.

FASTENERS: Four Stainless Steel T15 Tamper-proof screws secure lens frame & lens to backplate.

DRIVER: Universal voltage (UNV) 120-277V with 0-10V dimming, standard. 347V optional with (BB) back box option only

LIGHT ENGINE: High efficacy Light Emitting Diodes. Choose from 3K / 4K / 5K CCT.

BACK BOX: Used for surface mounted conduit and other options. Made from 14-gauge die formed aluminum and powder coat color finished same as lens frame. Provided with (7) 7/8" trade size knockouts.

EMERGENCY BACKUP: Optional integral or remote emergency batteries meet or exceeds 90-minute emergency backup requirement. Extreme cold weather backup option for operation down to -20°C. Style-B with deep back box required for Integral batteries.

REFLECTOR: 16G (.060) Aluminum Formed For Rigidity.

COMPLIANCE: Built to comply with U.S. and Canadian Safety Standards. Suitable for Wet Locations. **Buy American Act and Build America/ Buy America Act compliant.**

Order Example:

ZE-C-LED40-CT4-UNV-WHT-PHTD-EM10W

SERIES

ZE Zephyr Series

STYLE

- A 12" Square x 3" Depth - No Back Box
- B 12" Square x 5½" Depth
– Includes 2½" Deep Back Box
- C 12" Square x 4" Depth
– Includes 1" Shallow Back Box

LED WATTAGE

- LED15 15 Watt LED
- LED25 25 Watt LED
- LED40 40 Watt LED (Style B or Style C ONLY)

LED COLOR TEMPERATURE (CCT)

- CT3 ±3000K LED Color Temp
- CT4 ±4000K LED Color Temp
- CT5 ±5000K LED Color Temp

VOLTAGE

- 347 347 Volts (NOT Available with Emergency Options)
– Compatible with Style B or C Only
- UNV 120~277 Universal Volt Electronic Driver

STANDARD FINISH (LENS FRAME)

- BK Black
- BZ Bronze
- PA Painted Aluminum
- SV Silvadillo Gray
- WHT Textured White (Standard)

PREMIUM UPCHARGE FINISH (LENS FRAME)

- CC Custom Color (Visit www.ralcolor.com)
– Provide RAL# or Make-to-Match Color Chip
- +NAT Epoxy Coating for Natatorium Finish
- +OFC Epoxy Coating for Ocean Front Environments

PHOTOCELL OPTIONS

- PHTD Photocell Button (120/277V)
– Compatible with Style B or C Only

CONTROL OPTIONS (Choose from Manual or Sensor)

MANUAL CONTROL (Wall Switch or Control System)

Note: Cannot be used with Sensor Controls Below
Note: 0-10V (100-30%) Dimming is Standard

- 0-10D1 0-10VDC LED Dimming Driver (100-10%)
- 0-10D2 0-10VDC LED Dimming Driver (100-1%)
- BLS Bi-Level Switching (Includes Two Drivers)
– Compatible with Style B or C Only

OR

SENSOR CONTROL (Sensor Integral to Fixture)

Note: Cannot be used with Manual Controls Above
Note: Motion Sensor Max Mounting Height 18-Feet

- OCC Occupancy Sensing | Motion Sensor Integral
– Microwave / Single Feed / 120/277 Only
– Stand-by Dim Level Presets: On/Off (0%/100%)
- BLD Bi-Level Dimming | Motion Sensor Integral
– Microwave / Single Feed / 120/277 Only
– Stand-by DimLevel Presets:
10% / 20% / 30% (Standard) / 50%

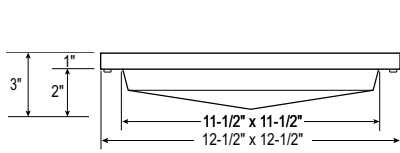
MISC OPTIONS

- DT Drop Tapered Polycarbonate Diffuser
- FUS Fuse and Fuseholder (Style B or Style C Only)
- FUS2 Double Fusing (Style B or Style C Only)

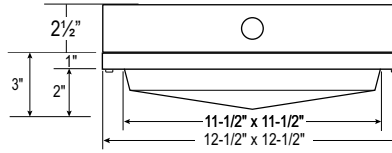
Additional Options on PAGE 2

DIMENSIONS

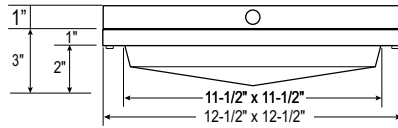
Note: Diagrams depicted feature Optional Drop Tapered Lens (DT)



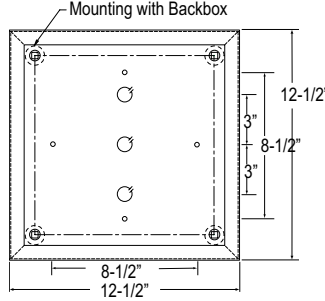
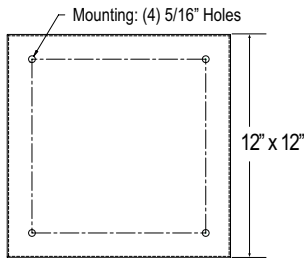
Style A - No Back Box



Style B - Deep Back Box



Style C - Shallow Back Box



EMERGENCY BATTERY OPTIONS

- Emergency Battery Options Meet California Energy Commission Title 20 [CEC-400-2014-009-CMF] Efficiency Standards (Cold Weather is NON-CEC)
- Cold Weather Emergency Batteries Temp Range: -20°C thru 50°C
- Integral Emergency Batteries Compatible with Style-B and Style-C Only

EM4W Integral 4 Watt LED

EM8W Integral 8 Watt LED

EM10W Integral 10 Watt LED

EM16W Integral 16 Watt LED

EM10W-CW Integral 10 Watt LED - Cold Weather

REM4W Remote 4 Watt LED

REM8W Remote 8 Watt LED

REM10W Remote 10 Watt LED

REM16W Remote 16 Watt LED

REM10W- Remote 10 Watt LED - Cold Weather CW

ACCESSORY OPTIONS

Order As A Separate Line

REMT0009 Remote Controller for Sensor Options

TPD Tamperproof Screwdriver